

SLIMLINE iCharger

valuable information on the use and
care of iCharger and your cell phone



MIKROTEK SWISS
advanced technology

Hello! Congratulations, you have made a good decision in choosing the newest hi-tech charger on the market - The SLIMLINE iCharger by MIKROTEK SWISS.

We have incorporated the latest technology in the circuitry and have used the latest Li Polymer batteries on the market.

People have told us that this is such a Good Looking Device - It is Sleek and Modern, with European Design, Minimalist Architecture... and it even feels good to hold.



This is quickly becoming the most popular charger on the market in Europe and North America.

The SLIMLINE iCharger has a very rich and sexy look! It comes in several hot designer colors: Hot Pink, Bright Blue, Black, Silver, and Gold.

It is made of Aircraft-quality aluminum, with a brushed finish.

It is Fun to use and there is security in always having reserve power at your fingertips.

Even the package is classy and you will want to keep the box too. It comes in an iPhone quality box that can be reused for years.

Under the iCharger, you will find the cables neatly tucked in the Lower Part of the Box.



And we include All the Different Cables to allow you to accomplish Fast Charging Speed for Apple iPhone 5S, 5C, 5, 4S, 4, 3, iPad, AIR, Mini, Samsung Galaxy S5, S4, S3, Note, TABLETS, Nexus, LG, ANDROID DEVICES, Bluetooth Speakers, Cameras, etc.



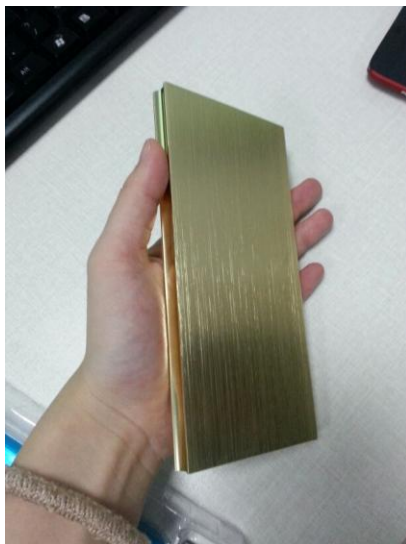
We keep the cables short so they do not get in the way.

The iCharger allows you more free time – you will not have to chase power outlets in awkward places. We have all been there many times.

It contains a Huge 10000mAh rechargeable power capacity, giving your phone enough juice to keep it running (it allows Several full charges to your iPhone 6, 5, and Samsung Galaxy S4, S3).



The SLIMLINE iCharger is Easy to hold in your hand and put anywhere you want, even in your pocket or bag.



It contains a Safe Li-Polymer battery cell. It is Lightweight, portable, and the most reliable battery on the market.

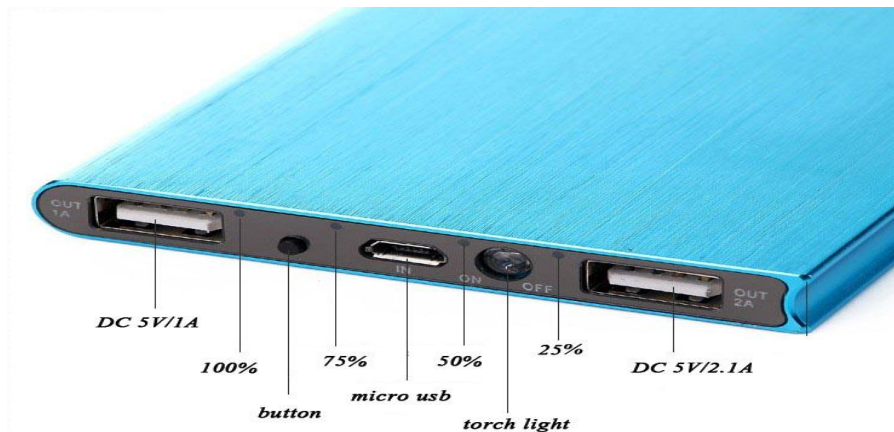
A unique look that will let you stand out from the crowd: More than just a charger, The Slimline iCharger is a great device.

- The SLIMLINE iCharger is very portable and Suitable for a wide range of occasions: parties, barbeques, outdoor activities (i.e. long hikes, camping, mountain climbing, and picnics), and at the airport waiting for a plane to arrive - but now it's delayed. No worries, you have an abundance of power!
- Fits easily into any bag or pocket; it is compact, portable, & a stylish design. Easily fits into your messenger bag or purse to provide instant power.
- PERFECT for long plane flights, road trips, or whenever you need to charge your mobile devices, wherever you are.



- Dual USB output: Charges two phones or an iPad at full speed (USB Output 1: 5V 2.1A, USB Output 2:1V 1.5A); advanced iCharger technology with standby time of up to 6 months once fully charged.
- If you are charging your iPad or notebook, use the 2.1A output for more power.
- At night just make sure the iCharger is charged up for the next day.

HERE IS THE NITY-GRITY DETAILS YOU NEED TO KNOW:



You have 4 LED Lights to show you how much power you have remaining in your iCharger....4 Lights is 100% Power, 3 Lights is 75% Power, 2 Lights is 50% Power and 1 Light is 25% Power Remaining. All Lights will go on when you are charging the unit.

Notice the micro USB port in the very middle of the technical end: THIS IS WHERE YOU WILL RECHARGE THE UNIT WHEN POWER IS LOW. I always do this at Night, so my iCharger is ready to go in the morning.

NEVER TRY TO CHARGE THE iCHARGER BY STICKING A POWER SUPPLY INTO THE OUTPUTS ON EITHER SIDE.....THIS WILL CAUSE HARM TO THE UNIT.

The on/off switch is a very small button that is located between the USB port and the 2A output for charging your device.

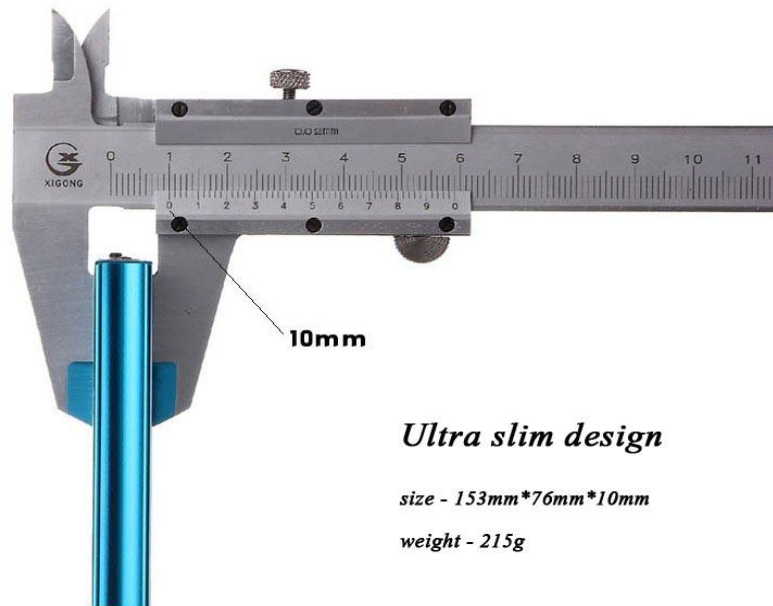
IMPORTANT NOTE....This ON/OFF SWITCH is a PUSH ON/PUSH OFF Switch, it does not move from side to side. It is small and you will soon get used to it.

THE FLASHLIGHT

To use the flashlight for emergency lighting, push the on/off button several times quickly; usually 3-4 times is all you need. Turn it back off the same way. Only use this when you are not charging your phone, as it is easier.



DIMENSIONS



Ultra slim design

*size - 153mm*76mm*10mm*

weight - 215g

CLEANING

To keep your Slimline iCharger looking new, just wipe with a dry soft cloth, such as soft cotton, flannel, or sunglass cloth.

Do not use chemicals and cleaners, as the sleek aluminum surface wipes clean easily.

Clean your cell phones the same way - cell phone screens do well using your sunglass cleaning cloth on it.

WARNING

Recent research discoveries have indicated it may not be healthy for men to carry their cell phone in the front pocket of their jeans, trousers, or shorts.

This may cause damage to sperm count and other problems. Dr Oz has recently spoken on his TV show about this.

However...There is **NO PROBLEM** in carrying your iCharger in your front pocket because it is not emitting signals, and is safe.

So Men, use your back pocket, messenger bag, or briefcase for your cell phone. Let's stay healthy.

I TRUST YOU WILL ENJOY YOUR NEW SLIMLINE iCHARGER.

**THANK YOU FOR
PURCHASING FROM US.**

Cheers,

Michael Moore

**President
Mikrotek Swiss**

